



ERDM SOLAR

POR NUESTRA TIERRA

ERDM 400 M10-54*2

Rated Power 400-415W



MBB Cell

New circuit design, lower internal current, lower internal resistance loss.



Harsh Environmental Adaptability

Strict salt spray and ammonia corrosion test by TUV Nord



Low Light Features

Higher performance under low light environment.



PID Protection

Ensure the attenuation probability caused by PID phenomenon is minimized



Load Capacity

Mechanical load tests including wind load 2400 Pa and snow load 5400 Pa done by TUV Nord.



Higher Output Power

Module adopts 108 pcs of 182*182mm half cells, the maximum power can reach 415W

1.0% 1st year Degradation

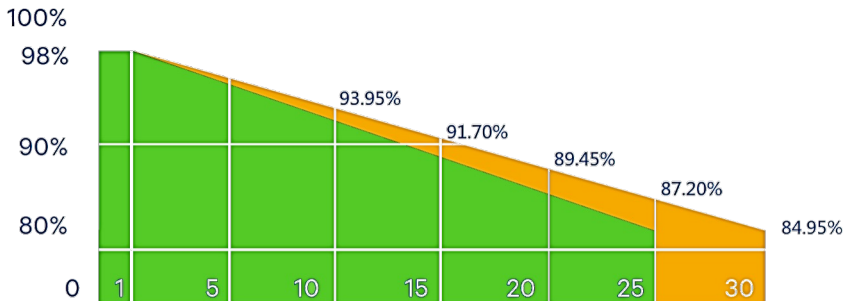
0.55% Annual degradation



Standar Module



ERDM Monocrystalline Module Linear Performance warranty

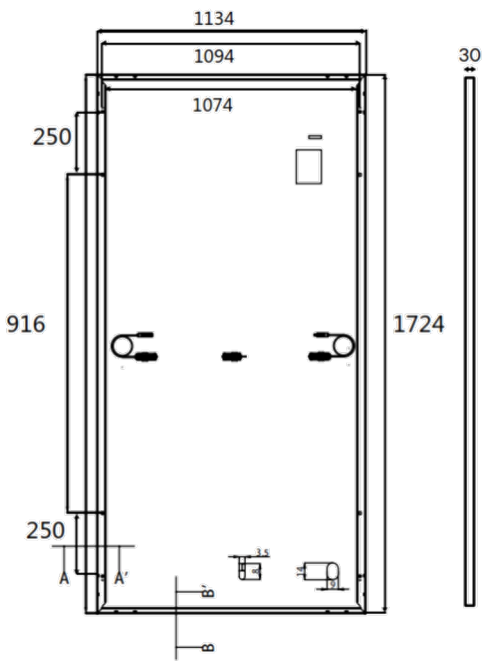


*J-PEC Product

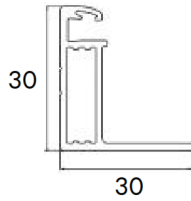


IEC 61215-2: 2016
IEC 61730-2: 2016

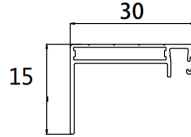
The information contained in this data sheet is subject to change without notice and is for informational purposes only.



Frame cross section A-A



Frame cross section B-B



SPECIFICATIONS

Type cell	Monocrystalline 182 x 182 mm
Cell Amount	54 x 2
Junction Box	IP68
Cable	4mm ² , N 1100 mm / P 1100 mm
Connector	MC4 Compatible
Frame	Aluminum Alloy 6063 T5
Weight	21 +/- 0.5 Kg
Dimensions	1724 x 1134 x 30 mm (1.95 m ²)

ELECTRICAL PARAMETERS (STC of irradiance of 1000 W/m², spectrum AM 1.5 and cell temperature of 25°C)

	400	405	410	415
Power	400	405	410	415
Open Circuit Voltage Voc (V)	36.94	37.14	37.34	37.54
Maximun Power Voltage Vmp (V)	30.92	31.12	31.32	31.62
Short Circuit Current Isc (A)	13.60	13.65	13.70	13.75
Maximum Power Current Imp (A)	12.94	13.00	13.06	13.12
Module Efficiency (%)	20.46	20.72	20.97	21.27

ELECTRICAL PARAMETERS (NMOT irradiance of 800 W/m², spectrum AM 1.5, ambient temperature 20°C, wind speed 1 m/s.)

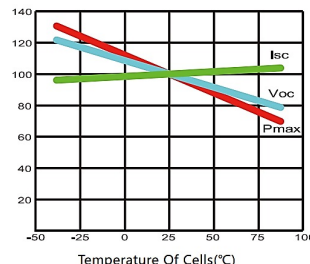
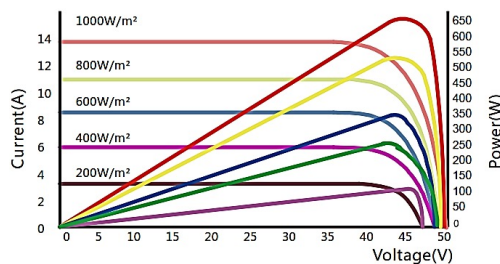
	295	298	302	306
Power	295	298	302	306
Open Circuit Voltage Voc (V)	34.49	34.69	34.89	35.09
Maximun Power Voltage Vmp (V)	28.78	28.98	29.18	29.38
Short Circuit Current Isc (A)	10.70	10.75	10.80	11.00
Maximum Power Current Imp (A)	10.25	10.28	10.35	10.40
Module Efficiency (%)	15.09	15.24	15.45	15.66

MAXIMUM RATING

Maximum System Voltage	1500V DC (IEC)
Fuse Current	25 A
Operating Temperature	-40 -+85 °C
Wind Load/Snow Load	2400pa / 5400pa

TEMPERATURE CHARACTERISTICS

NMOT	41 +/- 3 °C
Temp Coefficient of Pmax	-0.36 %/°C
Temp Coefficient of Voc	-0.28 %/°C
Temp Coefficient of Isc	+0.05 %/°C



30 YEARS POWER WARRANTY